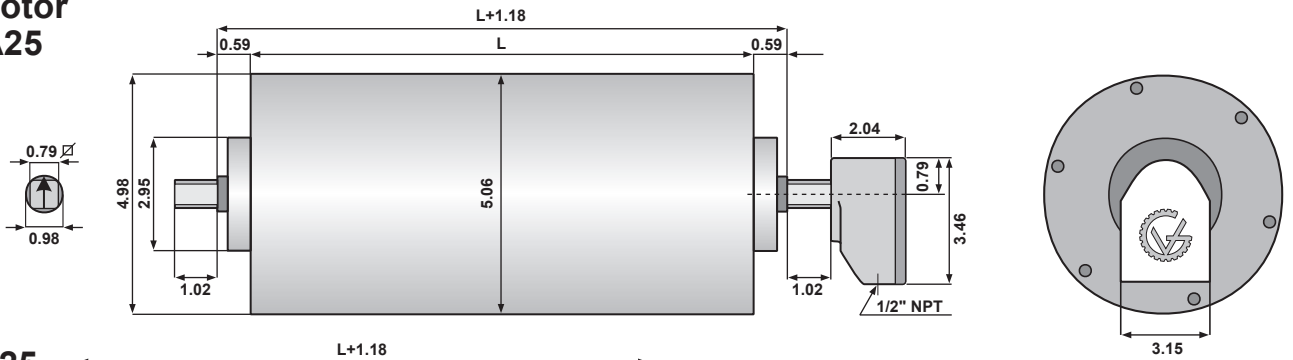
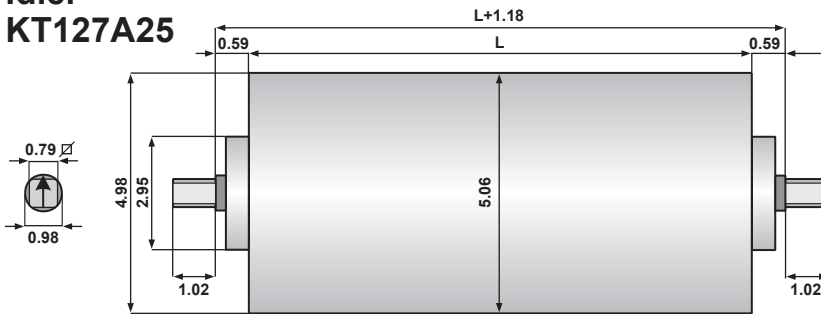


Type 127 Dimensions (in inches)

Drum Motor TM127A25



Idler KT127A25



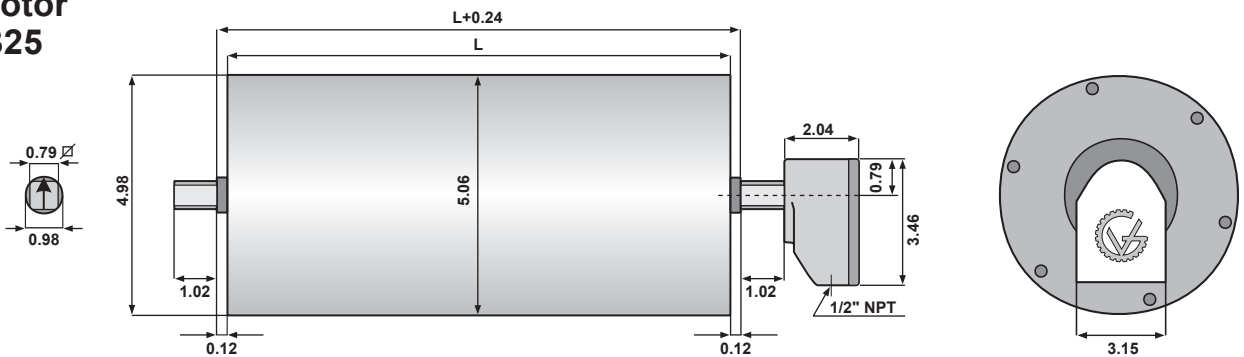
Standard face widths (L) in inches for the
TM127A25 and KT127A25:

9.84* 10.83* 11.81 13.78 15.75 17.72

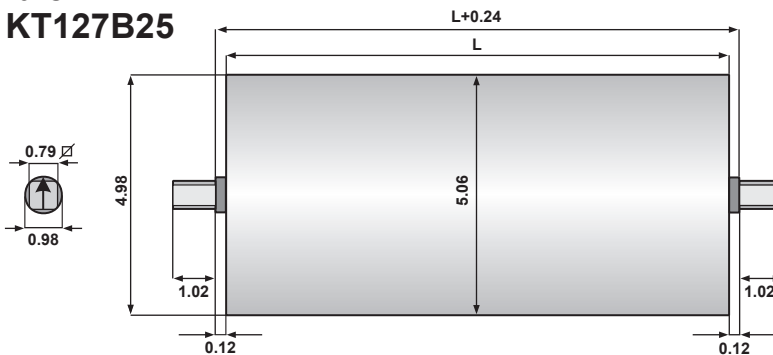
19.69 21.65 23.62 25.59 27.56 29.53 31.50

*This face width is not available in all horsepower.

Drum Motor TM127B25



Idler KT127B25



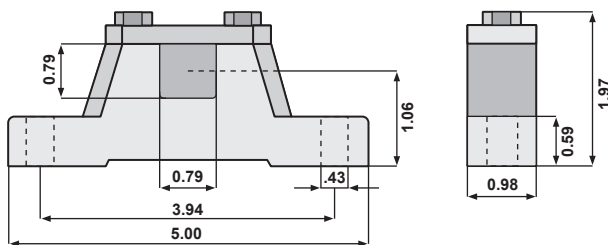
Standard face widths (L) in inches for the
TM127B25 and KT127B25:

10.83* 11.81* 13.78 15.75 17.72

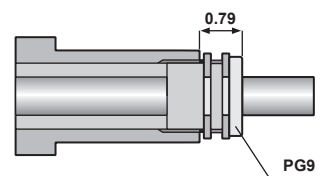
19.69 21.65 23.62 25.59 27.56 29.53 31.50

*This face width is not available in all horsepower.

Bracket AB 25



Optional Cable Type



Note: When Optional Cable Type is selected,
the minimum face width (L) increases by 1.969 inches.