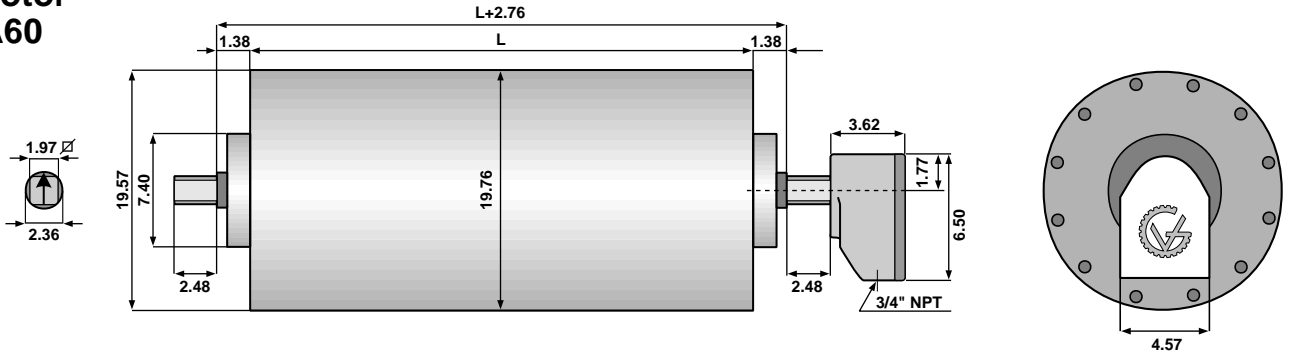
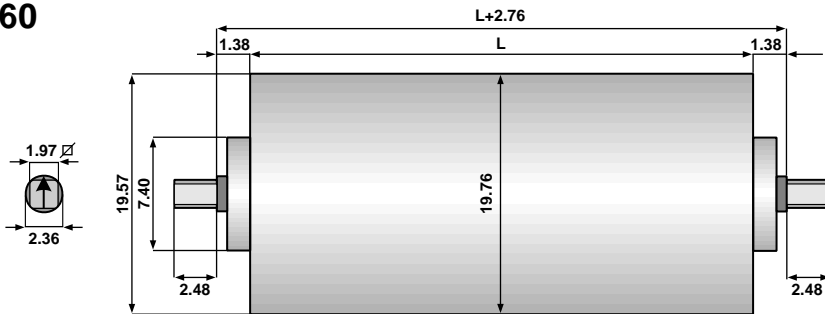


Type 500A60 Dimensions (in inches)

Drum Motor TM500A60

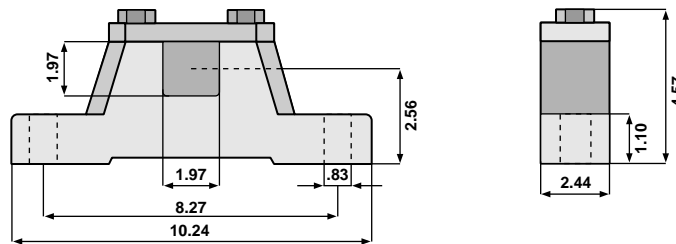


Idler KT500A60

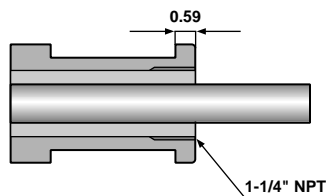


Standard face widths (L) in inches for the TM500A60 and KT500A60:
 23.62* 25.59* 27.56 29.53 31.50 33.46 35.43 37.40 39.38 41.34 43.31 45.28
 *This face width is not available in all horsepower.

Bracket AB 60



Optional Cable Type



Note: When Optional Cable Type is selected, the minimum face width (L) increases by 3.94 inches.