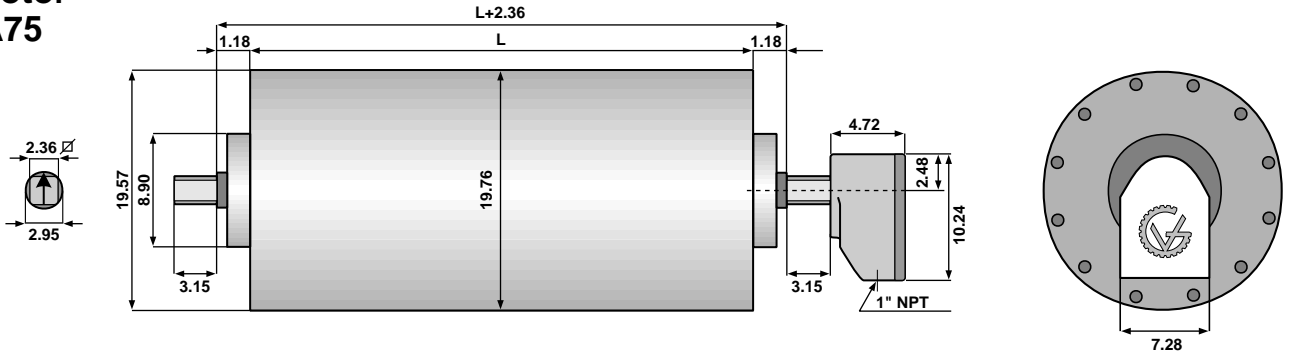
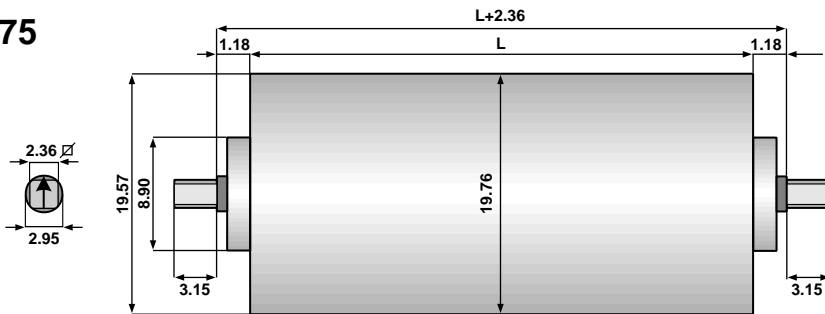


Type 500A75 Dimensions (in inches)

Drum Motor TM500A75



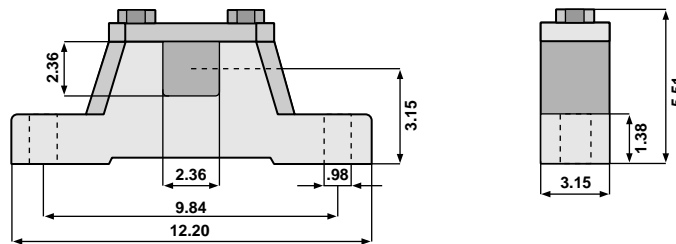
Idler KT500A75



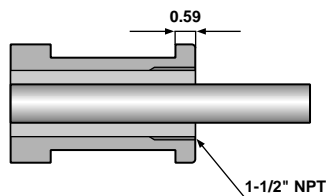
Standard face widths (L) in inches for the TM500A75 and KT500A75:

33.46 35.43 37.40 43.31 45.27 55.12 62.99

Bracket AB 75



Optional Cable Type



Note: When Optional Cable Type is selected, the minimum face width (L) increases by 5.91 inches.

Tel.: 905-793-8100 Fax: 905-793-8129

Toll Free: 888-326-1476

Email: info@vandergraaf.com Website: www.vandergraaf.com



d-500A75 (05/2002)