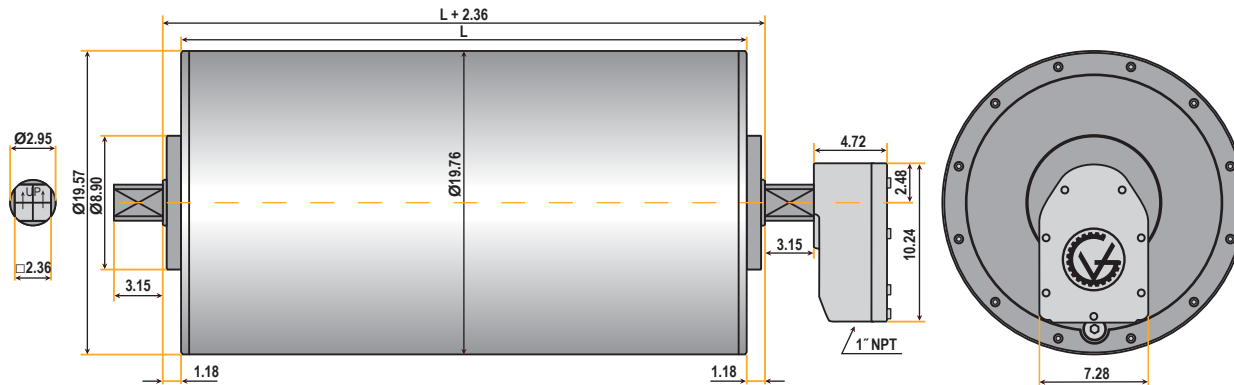


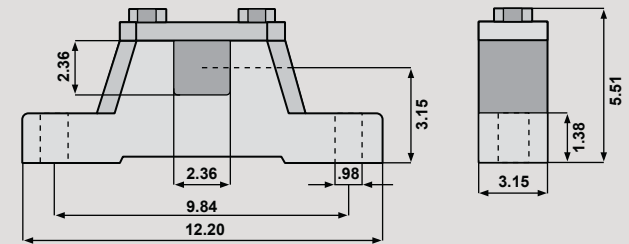
**TM500A75 Drum Motor (matching Idler KT500A75\*\*)**



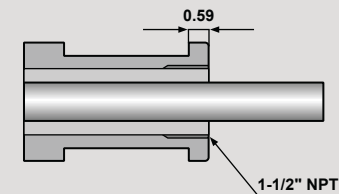
Standard face widths\* (L) in inches:

33.46	35.43	37.40	39.38	41.34	43.31	45.28	47.24	49.21
51.18	53.15	55.12	57.09	59.06	61.02	62.99	64.96	66.93
68.90	70.87							

**Bracket AB 75**



**Optional Cable Type**



**Note:** When Optional Cable Type is selected, the minimum face width (L) increases by 5.91 inches.

\*Some face widths are not available in all horsepower. For minimum available face widths refer to TM500A75 Specifications.

\*\*Idler dimensions are identical to the drum motor with no junction box.

# TM500A75 SERIES (20.0" diameter)



## SPECIFICATIONS

### 40 HP

V (ft/min) M/G	750 4/S2	590 4/S2	468 4/S2
Belt Pull (lbs)	1763	2241	2825
Drum RPM	143	113	89

### 30 HP

V (ft/min) M/G	750 4/S2	590 4/S2	468 4/S2	368 4/S2
Belt Pull (lbs)	1322	1680	2119	2694
Drum RPM	143	113	89	70

### 25 HP

V (ft/min) M/G	750 4/S2	590 4/S2	468 4/S2	368 4/S2
Belt Pull (lbs)	1102	1400	1766	2245
Drum RPM	143	113	89	70

### 20 HP

V (ft/min) M/G	500 6/S2	393 6/S2	312 6/S2	245 6/S2
Belt Pull (lbs)	1322	1680	2119	2694
Drum RPM	95	75	60	47

V = Belt Speed (ft/min)

M/G = Motor/Gear Reducer Configuration (at rated horsepower)

High Speed  
Low Torque



Low Speed  
High Torque