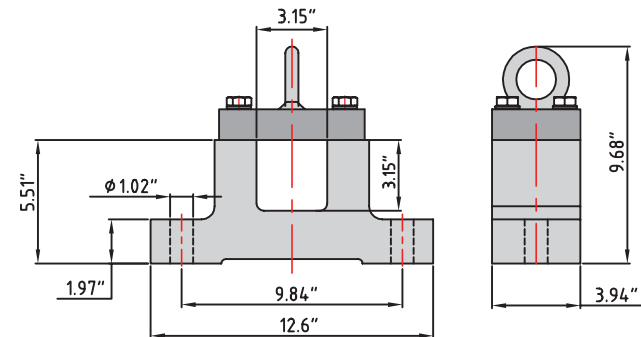


Standard face widths\* (L) in inches:

- 38.0    44.0    50.0    56.0    62.0    68.0    74.0

**Bracket AB 100**



\*Some face widths are not available in all horsepower. For minimum available face widths refer to page 12.

\*\*Idler dimensions are identical to the drum motor with no junction box.

### 75 HP

<b>V (ft/min) M/G</b>	<b>744 2/PL2</b>	<b>620 2/PL2</b>	<b>496 2/PL2</b>	<b>372 4/PL2</b>
<b>Belt Pull (lbs)</b>	<b>3171</b>	<b>3805</b>	<b>4756</b>	<b>6341</b>
<b>Drum RPM</b>	<b>115</b>	<b>95</b>	<b>76</b>	<b>57</b>

### 60 HP

<b>V (ft/min) M/G</b>	<b>744 2/PL2</b>	<b>620 2/PL2</b>	<b>496 2/PL2</b>	<b>372 4/PL2</b>	<b>310 4/PL2</b>
<b>Belt Pull (lbs)</b>	<b>2536</b>	<b>3044</b>	<b>3805</b>	<b>5016</b>	<b>6068</b>
<b>Drum RPM</b>	<b>115</b>	<b>95</b>	<b>76</b>	<b>57</b>	<b>48</b>

### 50 HP

<b>V (ft/min) M/G</b>	<b>744 2/PL2</b>	<b>620 2/PL2</b>	<b>496 2/PL2</b>	<b>372 4/PL2</b>	<b>310 4/PL2</b>	<b>248 4/PL2</b>
<b>Belt Pull (lbs)</b>	<b>2114</b>	<b>2536</b>	<b>3171</b>	<b>4227</b>	<b>5073</b>	<b>6343</b>
<b>Drum RPM</b>	<b>115</b>	<b>95</b>	<b>76</b>	<b>57</b>	<b>48</b>	<b>38</b>

### 40 HP

<b>V (ft/min) M/G</b>	<b>372 4/PL2</b>	<b>310 4/PL2</b>	<b>248 4/PL2</b>
<b>Belt Pull (lbs)</b>	<b>3382</b>	<b>4045</b>	<b>5073</b>
<b>Drum RPM</b>	<b>57</b>	<b>48</b>	<b>38</b>

### 30 HP

<b>V (ft/min) M/G</b>	<b>372 4/PL2</b>	<b>310 4/PL2</b>	<b>248 4/PL2</b>
<b>Belt Pull (lbs)</b>	<b>2508</b>	<b>3042</b>	<b>3803</b>
<b>Drum RPM</b>	<b>57</b>	<b>48</b>	<b>38</b>

### 25 HP

<b>V (ft/min) M/G</b>	<b>372 4/PL2</b>	<b>310 4/PL2</b>	<b>248 4/PL2</b>
<b>Belt Pull (lbs)</b>	<b>2113</b>	<b>2536</b>	<b>3172</b>
<b>Drum RPM</b>	<b>57</b>	<b>48</b>	<b>38</b>

### 20 HP

<b>V (ft/min) M/G</b>	<b>248 6/PL2</b>	<b>186 6/PL2</b>	<b>149 6/PL2</b>
<b>Belt Pull (lbs)</b>	<b>1691</b>	<b>2023</b>	<b>2536</b>
<b>Drum RPM</b>	<b>38</b>	<b>29</b>	<b>23</b>

**V = Belt Speed (ft/min)**

**M/G = Motor/Gear Reducer Configuration (at rated horsepower)**

High Speed  
Low Torque



Low Speed  
High Torque